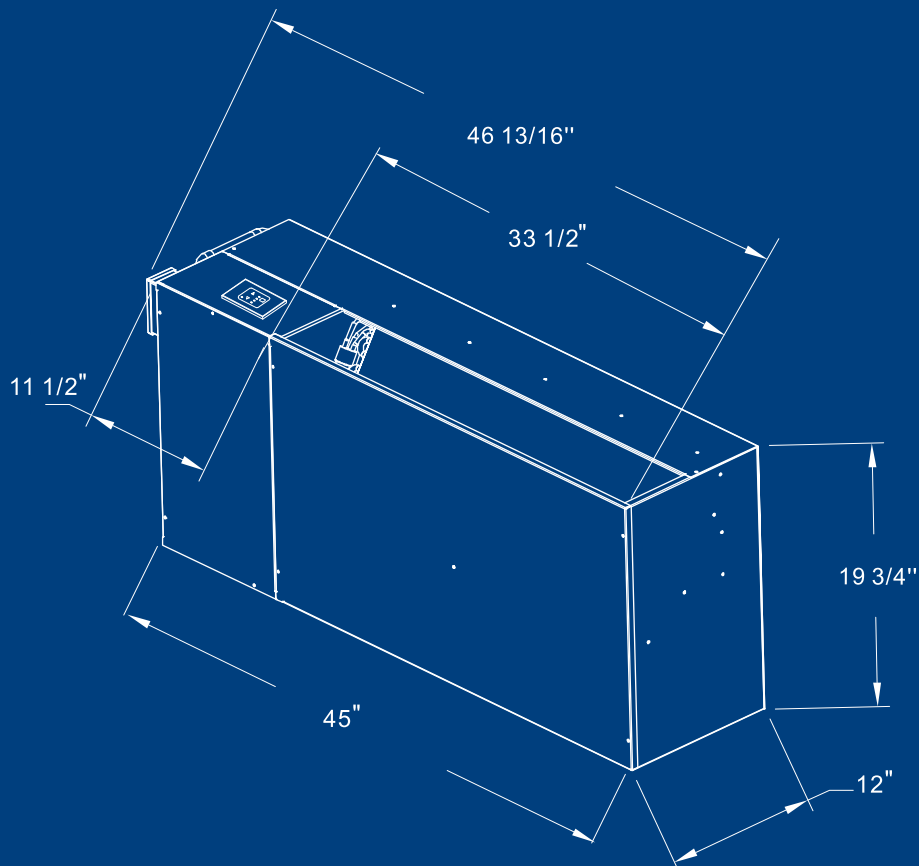


MODEL
SSWSFC



WATER SOURCE HEAT PUMP
NEW CONSTRUCTION AND AS AN EXACT
REPLACEMENT FOR THE
FRIEDRICH CLIMATE MASTER 800 SERIES





| MODEL | SSWSFC512 | SSWSFC812 | SSWSFC818 |
|------------------------------|--------------------------|--------------------------|----------------------|
| FAN SPEED | HIGH/LOW | HIGH/LOW | HIGH/LOW |
| COOLING CAPACITY (BTU/h) | 13000 | 13500 | 20500 |
| HEATING CAPACITY (BTU/h) | 15500 | 16500 | 21500 |
| VOLTAGE (V) | 115V | 208V | 208V |
| WATTS (W) | 920 | 950 | 1280 |
| AIR FLOW (CFM) | 400/300 | 360/300 | 560/450 |
| AMPS (A) | 8.6 | 4.6 | 6.3 |
| COP | 4.77 | 4.7 | 5.1 |
| EER | 14.2 | 14.3 | 16 |
| FREON CHARGE OZ. | 24.7 | 24.7 | 32.5 |
| CHASSIS DIMENSIONS (in.) | 41X12X19 3/4 | 41X12X19 3/4 | 45X12X19 3/4 |
| SHIPPING BOX DIMENSION (in.) | 47 1/2 X 16 3/4 X 21 3/4 | 47 1/2 X 16 3/4 X 21 3/4 | 49 3/4 X 15 X 24 1/2 |
| WEIGHT (LBS) | 138 | 138 | 176 |
| LOADING (40'20') | 138/66 | 138/66 | 92/44 |

- Important Note: Due to the ongoing development, the performance, specifications, components, and design is subject to change without notice. Please contact factory. All chassis are Tested and Rated in accordance with ISO 13256-1 and UL484, UL1995. All "replacement" chassis are UL Listed for safety and ETL tested.