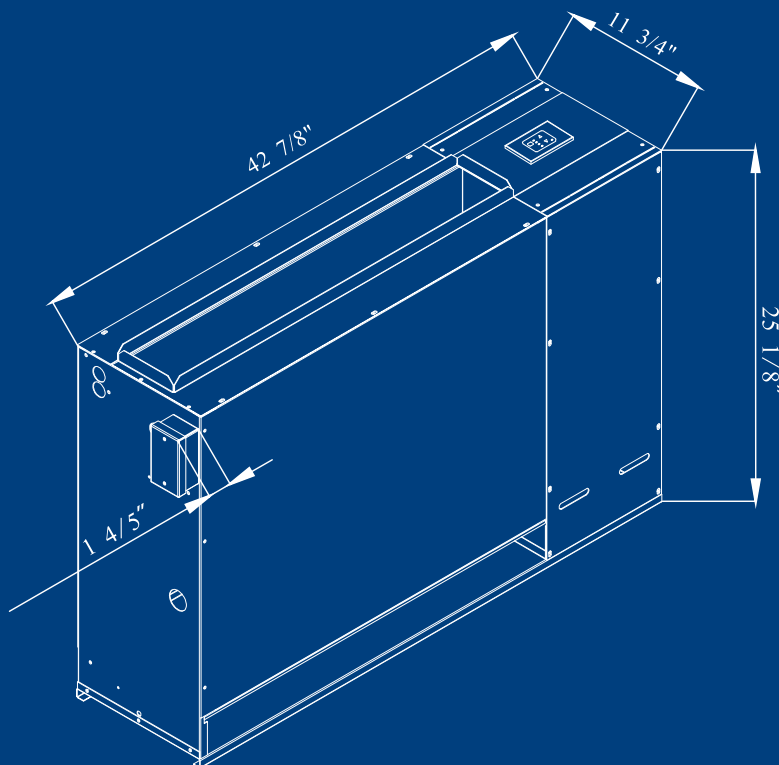


SSWSHP

MODEL

WATER SOURCE HEAT PUMP
REPLACEMENT FOR THE:
SINGER MODEL WM AND THE
WATER FURNANCE MODEL CC



SIMON-AIRE INC.

SSWSHP



MODEL	SSWSHP512	SSWSHP812	SSWSHP818
FAN SPEED	HIGH/LOW	HIGH/LOW	HIGH/LOW
COOLING CAPACITY (BTU/h)	13000	13500	20500
HEATING CAPACITY (BTU/h)	15500	16500	21500
VOLTAGE (V)	115V	208V	208V
WATTS (W)	920	950	1280
AIR FLOW (CFM)	400/300	360/300	560/450
AMPS (A)	8.6	4.6	6.3
COP	4.77	4.7	5.1
EER	14.2	14.3	16
FREON CHARGE OZ.	24.7	24.7	35.3
CHASSIS DIMENSIONS (in.)	37 7/8 X 10 1/4 X 25 1/8	37 7/8 X 10 1/4 X 25 1/8	42 7/8 X 11 3/4 X 25 1/8
SHIPPING BOX DIMENSION (in.)	48 3/4 X 28 3/4 X 15	48 3/4 X 28 3/4 X 15	53 1/2 X 31 1/4 X 16 1/4
WEIGHT (LBS)	183	183	220
LOADING (40'20')	108/50	108/50	80/40

- Important Note: Due to the ongoing development, the performance, specifications, components, and design is subject to change without notice. Please contact factory. All chassis are Tested and Rated in accordance with ISO 13256-1 and UL484, UL1995. All "replacement" chassis are UL Listed for safety and ETL tested.