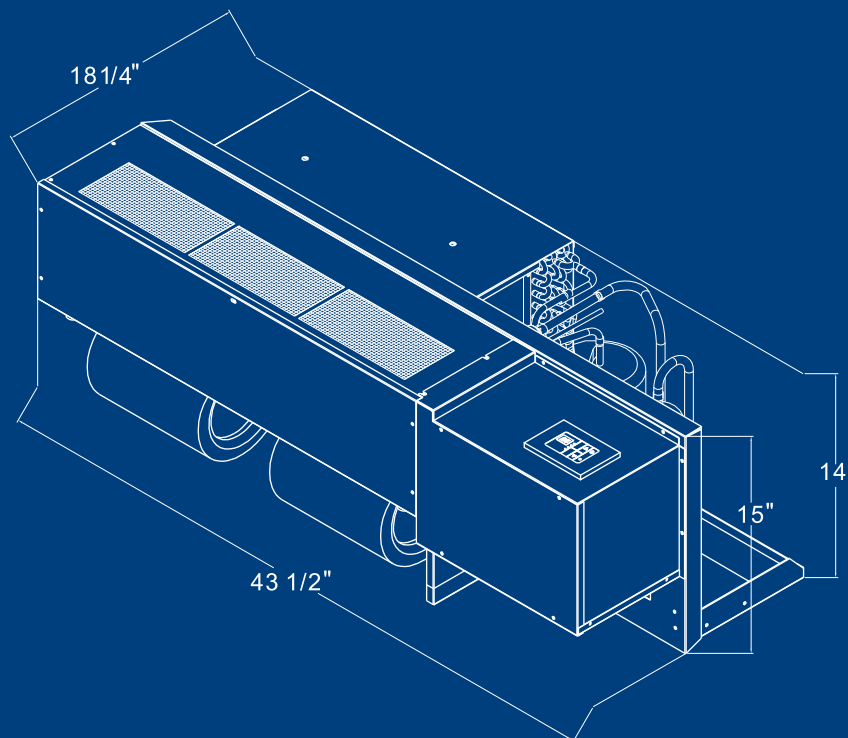


MODEL

SSEA



EXACT CHASSIS REPLACEMENT
FOR THE:
REMINGTON, SINGER AND MCQUAY EA,
ES AND RS SERIES.
ISLANDAIRE EZ SERIES ED
ICECAP RSEA





Line Voltage	Maximum Amperage	Wall Socket Configuration	Receptacle Number	Electrical Heat Options
115	16		NEMA5-20R	3.0-3.5
208/230	12		NEMA6-15R	3.0-3.5
208/230	16		NEMA6-20R	3.0-3.5
208/230	24		NEMA6-30R	3.0-3.5
270	16		NEMA7-20R	3.0-3.5

- ANALOG CONTROL AND MAIN THERMOSTAT (OPTIONAL)
PTC CERAMIC ELECTRIC HEAT OPTION AVAILABLE-CONSULT FACTORY

MODEL	SSEA513H-TP	SSEA813H-TP	SSEA816H-TP
FAN SPEED	HIGH/LOW	HIGH/LOW	HIGH/LOW
COOLING CAPACITY (BTU/h)	12600	13500	15500
HEATING CAPACITY HOT WATER (BTU/h)	16500/15100	16500/15100	19400/18100
VOLTAGE (V)	115V	208V	208V
WATTS (W)	1250	1328	1630
AIR FLOW (CFM)	330/280	360/290	390/300
AMPS (A)	11.07	6.4	7.9
EER	10.06	10.2	9.5
R410 CHARGE OZ.	31.7	34.5	38.8
CHASSIS DIMENSIONS (in.)	42 1/2 X 18 1/4 X 14	42 1/2 X 18 1/4 X 14	42 1/2 X 18 1/4 X 14
SHIPPING BOX DIMENSION (in.)	49 X 23 X 18 1/2	49 X 23 X 18 1/2	49 X 23 X 18 1/2
WEIGHT (LBS)	136	136	148
LOADING (40'20')	148/66	148/66	148/66
HEATING CAPACITY STM (BTU/h)	18700/16500	18700/16500	20000/19400

- Important Note: Due to the ongoing development, the performance, specifications, components, and design is subject to change without notice. Please contact factory.
All chassis are Tested and Rated in Accordance with ARI 310/380 and UL Standard 484.
All "replacement" PTAC chassis are UL Listed for safety and ETL tested.